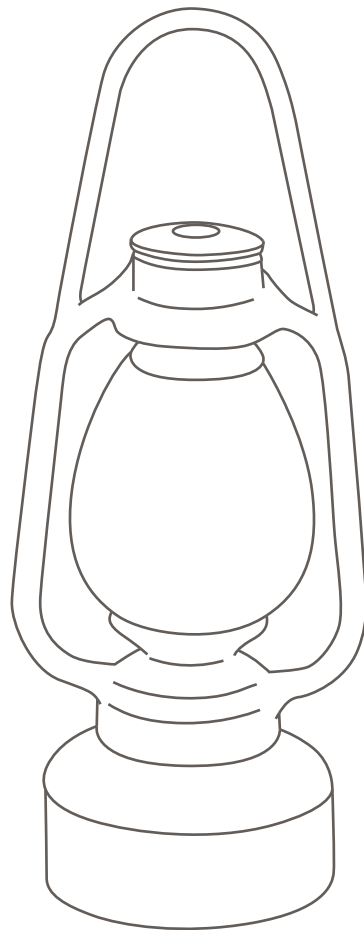


# Assembly instructions

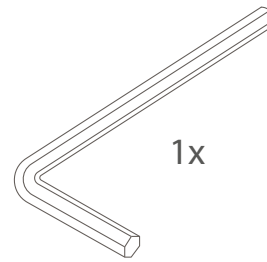
## Vintage Lantern



*maileg*  
DANISH DESIGN

## BATTERY REPLACEMENT

Lamp requires 1 CR1632 3V button cell battery. To replace battery, use a Phillips head screwdriver (not included) to open battery cover. Remove and set aside. Unscrew the battery lid. Insert 1 CR1632 button cell battery as shown. Use either CR1632 button cell battery or equivalent type. Screw on battery lid and close battery cover.

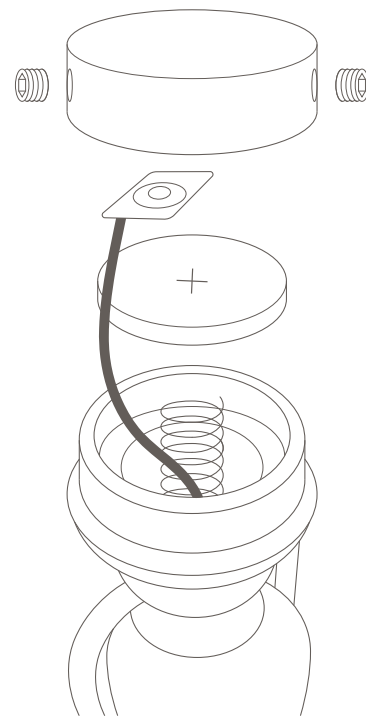


## BATTERY SAFETY INFORMATION

In exceptional circumstances the battery may leak fluids that can cause a chemical burn injury or ruin your product.

To avoid battery leakage:

- Non-rechargeable battery is not to be recharged.
- Rechargeable battery is to be removed from the product before being charged.
- Rechargeable battery is only to be charged under adult supervision.
- Only battery of the same or equivalent battery type as recommended is to be used.
- Battery is to be inserted with the correct polarity.
- Exhausted battery should be removed from the product.
- The supply terminals are not to be short-circuited.
- Dispose of battery safely.
- Do not dispose of this product in a fire. The battery inside may explode or leak.



*Keep this for further information*

## WARNING!

Contains button cell battery. Hazardous if swallowed. This product contains a button cell battery. A swallowed button cell battery can cause internal chemical burns in as little as two hours and lead to death. Dispose of used batteries immediately. Keep new and used batteries away from children. If you think batteries might have been swallowed or placed inside any part of the body. Seek immediate medical attention.

**⚠ WARNING**  
**CHOKING HAZARD - Small parts**  
Not suitable for children under 3 years  
Contains button or coin cell battery  
Hazardous if swallowed - see instruction

DE Achtung - kleine Teile - Bitte bewahren Sie diese Informationen für den späteren Gebrauch auf. DK Advarsel - små dele - Behold venligst denne information til fremtidig reference. EN Warning - small parts - Please keep this information for future reference. PL Ostrzeżenie - małe części - Zachowaj te informacje do wykorzystania w przyszłości. NL Waarschuwing - kleine onderdelen - Bewaar deze informatie voor naslag bij toekomstig gebruik. IT Attenzione - piccole parti - Si prega di conservare queste informazioni per riferimento futuro. PT Atenção - partes pequenas - Mantenha esta informação para consulta futura. ES Advertencia - partes pequeñas - Guarde esta información para futura referencia. SI Opozorilo - majhni deli - Te podatke hranite v prihodnje. CZ Upozornění - malé části - Uchovávejte si tyto informace pro budoucí použití. LT Įspėjimas - smulkios detalės - Prašome laikyti šią informaciją ateityje. FR Attention - petites éléments - S'il vous plaît garder cette information pour référence future. NO Advarsel - små deler - Vennligst hold denne informasjonen for fremtidig referanse. MK Предупредување - мали делови - Ве молиме чувајте ги овие информации за понатамошна референца. RU Предупреждение - мелкие детали - Сохраните эту информацию для дальнейшего использования. HU Figyelmeztetés - kis alkatrészek - Kérjük, tartsa meg ezt az információt a későbbiekben. HR Upozorenje - mali dijelovi - Molimo zadržite ove informacije za buduću referencu. IS Viðvörðun - lítil hlutar - Vinsamlegast geymdu þessar upplýsingar til framtíðar tilvísunar. IE Rabhadh - páirteanna beaga - Coinnigh an fhaisnéis seo le haghaidh tagartha sa toidhchaí. GR Προειδοποίηση - μικρά μέρη - Παρακαλώ φυλάξτε αυτές τις πληροφορίες για μελλοντική αναφορά. RO Avertisment - piese mici - Vă rugăm să păstrați aceste informații pentru referințe ulterioare. XS Упозорење - мале делове - Обратите пажњу на ове информације у будућности. TR Uyarı - küçük parçalar - Lütfen bu bilgileri ileride başvurmak için saklayın. LV Bīdinājums - sīkas detaļas - Lūdzu, saglabājiet šo informāciju turpmākai atsaucei. BG Внимание - малки части - Моля, запазете тази информация за бъдещи справки. SE Varning - små delar - Vänligen behåll denna information för framtida referens. EE Hoiatu - väikesed osad - Palun hoidke seda teavet edaspidiseks kasutamiseks. CN 警告 - 小零件 - 请保留此信息以备将来参考. AE تنبيه - أجزاء صغيرة - يرجى الاحتفاظ بهذه المعلومات للاستخدام المستقبلي.